

2MP 33X lighthunter Laser IR Network PTZ Camera

IPC6652EL-X33-VF



Key Features



- High quality image with 2MP, 1/2.8" CMOS sensor
- 1920*1080@60fps in the main stream
- Ultra 265, H.265, H.264, MJPEG
- Five streams
- 33X Optical Zoom
- Lighthunter technology ensures ultra-high image quality in low illumination environment
- Vari-focal laser: 500m (1640ft) distance, proportional to optical zoom of camera module
- AC 24V ±25%, DC 24V±25%, POE(PSE Required)
- Alarm 2 in and 1 out, Audio 1 in and 1 out
- IP66 ingress protection

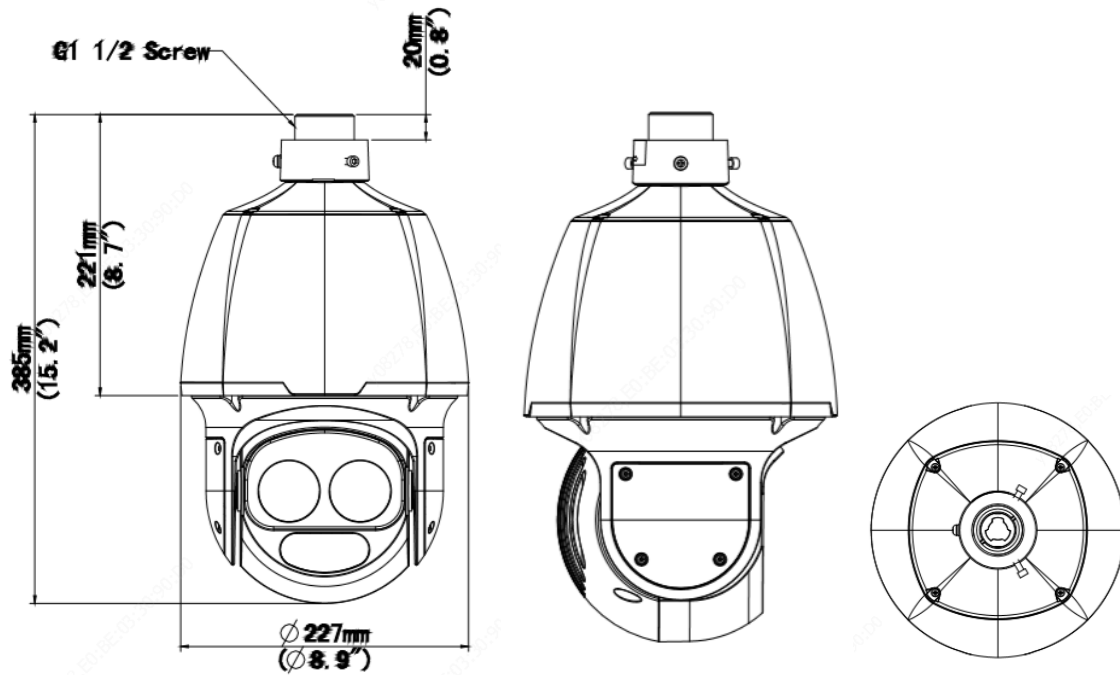
Specifications

IPC6652EL-X33-VF					
Camera					
Sensor	1/2.8", 2.0 megapixel, progressive scan, CMOS				
Minimum Illumination	Colour: 0.001Lux (F1.5, AGC ON) 0Lux with IR				
Day/Night	IR-cut filter with auto switch (ICR)				
Shutter	Auto/Manual, 1 ~ 1/100000s				
WDR	120dB				
S/N	>52dB				
Lens					
Lens type	4.5 ~ 148.5mm, AF automatic focusing and motorized zoom lens				
Digital Zoom	16				
Optical Zoom	33				
Iris	Auto; F1.5 ~ F4.0				
Angle of View (H)	56.2° ~ 2.6°				
Angle of View (V)	33.5° ~ 1.4°				
Angle of View (O)	65.4° ~ 3.0°				
DORI					
DORI Distance	Lens (mm)	Detect (m)	Observe (m)	Recognize (m)	Identify (m)
	4.5	72.9(239.3ft)	29.2(95.7ft)	14.6(47.9ft)	7.3(23.9ft)
	148.5	2187.9(7178.3ft)	875.2(2871.3ft)	437.6(1435.7ft)	218.8(717.8ft)
Illuminator					
Vari-focal Laser	Up to 500m(1640ft)				
Wavelength	850nm				
IR On/Off Control	Auto/Manual				
Video					
Video Compression	Ultra 265, H.265, H.264, MJPEG				
Frame Rate	Main Stream: 2MP (1920*1080), Max 60fps; Sub Stream: 2MP (1920*1080), Max 60fps; Third Stream: D1 (720*576), Max 60fps Fourth Stream: D1 (720*576), Max 60fps Fifth Stream: D1 (720*576), Max 60fps				
Video Bit Rate	128 Kbps~16 Mbps				
H.264 Type	Baseline Profile/Main Profile/High Profile				
H.265 Type	Main Profile				
U-code	Support				
ROI	Up to 8 areas				
Video stream	Five streams				
OSD	Up to 8 OSDs				
Privacy Mask	Up to 24 blacks (Up to 4 blacks in the same picture)				
Image					
White Balance	Auto/Outdoor/Fine Tune/Sodium Lamp/Locked/Auto2				

Digital noise reduction	2D/3D DNR
Flip	Normal/Flip Vertical/Flip Horizontal/180°/90°Clockwise/90°Anti-clockwise
EIS	N/A
HLC	Support
BLC	Support
Defog	Digital Defog
Events	
Basic Detection	Motion detection, Audio detection, Tampering Alarm;
Auto tracking	Support later
General Function	Watermark, IP Address Filtering, Alarm input, Alarm output, Access Policy, ARP Protection, RTSP Authentication, User Authentication
Audio	
Audio Compression	G.711U,G.711A
Audio Bitrate	64 Kbps
Two-way audio	Support
Suppression	Support
Sampling Rate	8KHZ
Storage	
Edge Storage	Micro SD, up to 256GB
Network Storage	ANR,NAS(NFS)
Network	
Protocols	IPv4, IGMP, ICMP, ARP, TCP, UDP, DHCP, PPPoE, RTP, RTSP, RTCP, DNS, DDNS, NTP, FTP, UPnP, HTTP, HTTPS, SMTP, 802.1x, SNMP, QoS, RTMP, SSL/TLS
Compatible Integration	ONVIF (Profile S, Profile G, Profile T), API, SDK
User/Host	Up to 32 users. 2 user levels: administrator and common user
Security	Password protection, strong password, HTTPS encryption, Export operation logs, basic and digest authentication for RTSP, digest authentication for HTTP, TLS 1.2, WSSE and digest authentication for ONVIF
Client	EZStation Ezview EZLive
Web Browser	Plug-in required live view: IE9+, Chrome 41 and below, Firefox 52 and below
Pan & Tilt	
Pan Range	360° (endless)
Pan Speed	0.1°/s ~ 200°/s
	Preset speed: 300°/s
Tilt Range	-15° ~ 90° (auto reverse)
Tilt Speed	0.1°/s ~ 200°/s
	Preset speed: 240°/s
Number of Presets	1024
Patrol	Preset patrol, route patrol, recorded patrol
Patrol Stay Time	15s~1800s
Preset Image Freeze	Support
Home Position	Support
Interface	
Audio I/O	1/1

Alarm I/O	2/1
Serial Port	1 RS485
Built-in Mic	N/A
Built-in Speaker	N/A
WIFI	N/A
Network	1 RJ45 10M/100M Base-TX Ethernet
Video output	1 BNC
Certification	
EMC	FCC CFR 47 Part 15 EN 55032:2015 EN 55024:2010 EN 61000-3-2:2014 EN 61000-3-3-2013
Environment	CE-ROHS (2011/65/EU;(EU)2015/863); WEEE (2012/19/EU); REACH (Regulation (EC) No 1907/2006)
Protection	Ingression protection: IP66 (IEC 60529-2013)
General	
Power	AC 24V ±25%, DC 24V±25%, PoE (PSE Required)
	Power consumption: Max 53W
Power Interface	Wires with cold-pressed terminal
Dimensions (Ø x H)	Ø227 x 385mm (Ø8.9" x 15.2")
Weight	5.7kg(12.54lb)
Working Environment	-40°C ~ 70°C (-40°F ~ 158°F), Humidity: ≤95% RH (non-condensing)
Storage Environment	-40°C ~ 70°C (-40°F ~ 158°F), Humidity: ≤95% RH (non-condensing)
Surge Protection	6KV
Vandal Resistant	N/A
Ingress Protection	IP66
Reset Button	Support

Dimensions



Accessories

TR-CE45-IN



TR-SE45-A-IN



TR-SE45-IN



TR-UF45-A-IN



TR-WE45-IN



TR-WE45-A-IN



TR-UP08-A-IN/TR-UP08-B-IN



TR-UC08-A-IN/ TR-UC08-B-IN



TR-JB12-IN



TR-WE45-B-IN



Pendent Mount	Pole Mount
TR-CE45-IN; TR-UF-45-A -IN +TR-SE45-A-IN/TR-SE45-IN	TR-WE45-IN/TR-WE45-A-IN+TR-UP08-A-IN/TR-UP08-B-IN+TR-JB12-IN

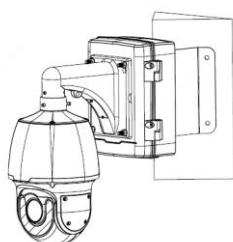


Corner Mount

/

TR-WE45-IN/TR-WE45-A-IN+TR-UC08-A-IN/
TR-UC08-B-IN+TR-JB12-IN

/



/

Zhejiang Uniview Technologies Co., Ltd.

Building No.10, Wanlun Science Park, Jiangling Road 88, Binjiang District, Hangzhou, Zhejiang, China (310051)

Email: overseasbusiness@uniview.com; globalsupport@uniview.com

<http://www.uniview.com>

©2021 Zhejiang Uniview Technologies Co., Ltd. All rights reserved.

*Product specifications and availability are subject to change without notice.